

企业简介

Enterprise Introduction

济南新宇硬质合金有限公司成立于2002年，是集硬质合金产品的研究、开发、生产、销售、于一体，具有自营进出口权的股份制企业，拥有雄厚的研发能力和先进的生产设备。我公司生产的硬质合金及相关制品，性能优良，品质卓越，在国内外享有很高的声誉。产品远销美国、加拿大、意大利、日本、韩国、台湾等五十多个国家和地区。企业已通过ISO9001质量管理体系认证，并被评为一等AAA级信誉企业。

Founded in 2002, Jinan Xinyu Cemented Carbide Co., Ltd. is a large licenced import and export enterprise integrating R&D, manufacture and trade of cemented carbide in a whole and has strong R&D ability and advanced production facilities.

We have a complete variety and can supply the following products:

- Cemented Carbide Button Bits
- Cemented Carbide Inserts
- Cemented Carbide Rods
- Coal Mining Bits
- Road Planning Bits

Besides, we can also provide customized products according to your drawings or samples.

Welcome to visit our factory!



目录

CONTENT

硬质合金牌号、性能及使用范围 Grades, Properties And Applications Recommended	4
煤炭采掘类合金 Cemented Carbide Products for Coal-cutting	5
矿山工具用合金 Cemented Carbide Products for Mining	19
地质勘探类合金 Cemented Carbide Products for Geological Prospecting	29
铲雪齿用合金 Cemented Carbide Snow Plow Tips	34
PDC复合片基体 PDC Substrate Tips	36
油田用合金 Cemented Carbide Products for Oil Drilling	38
盾构刀具类合金 Cemented Carbide Products for Shield Cutter	40

公司证书

Company Certificate

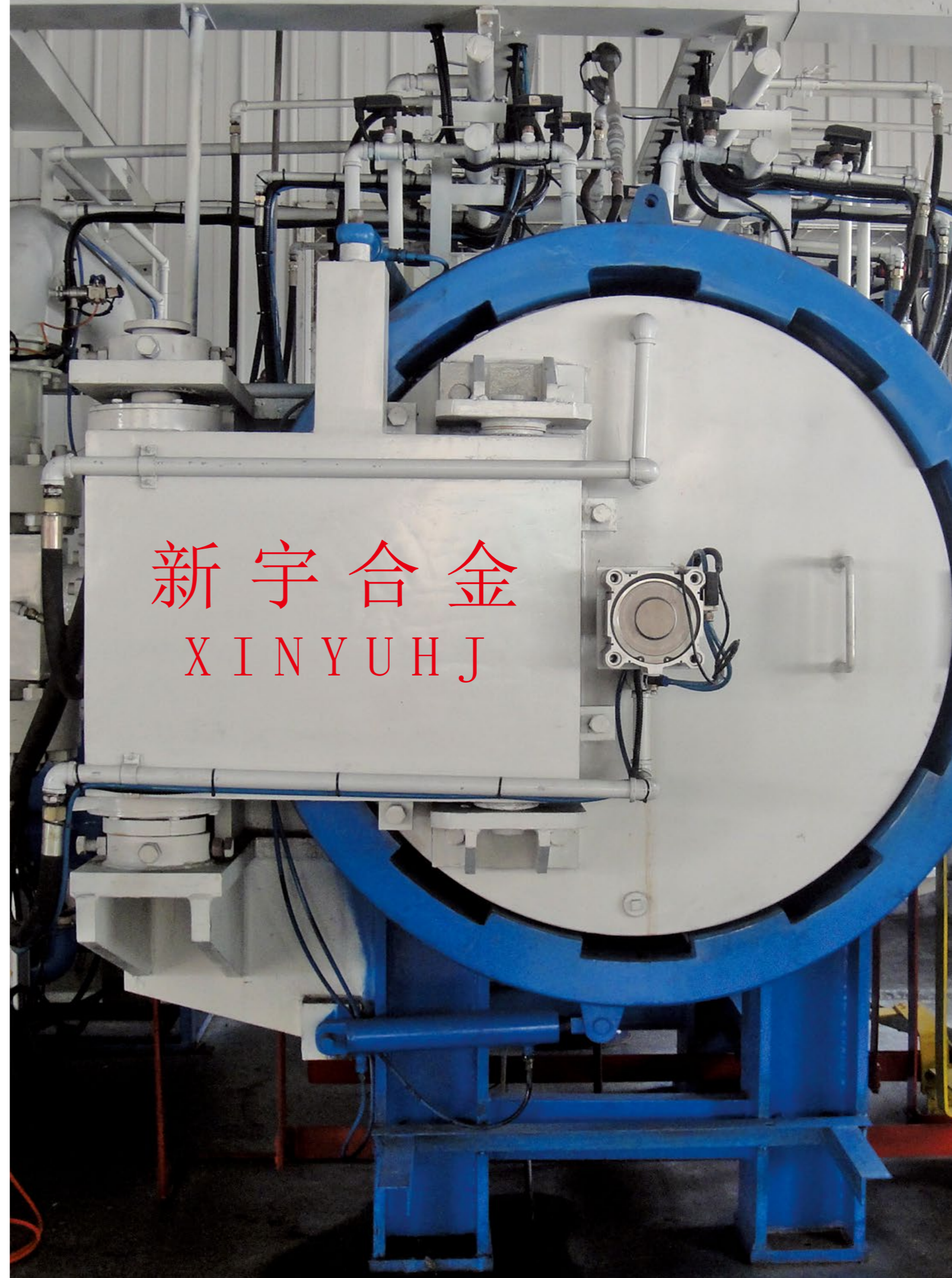




强大的硬件设施 Advanced Equipment

1. 一体化的生产加工及产品体系
2. 拥有雄厚的研发能力和先进的生产设备，现代化生产线
3. 企业已通过ISO9001质量管理体系认证，并被评AAA级信誉企业

- 1.Integration of production processing and product system
- 2.Strong research and development capabilities, advanced production equipment, modern production lines
- 3.ISO9001 certificated, and has been rated as AAA grade credit enterprise





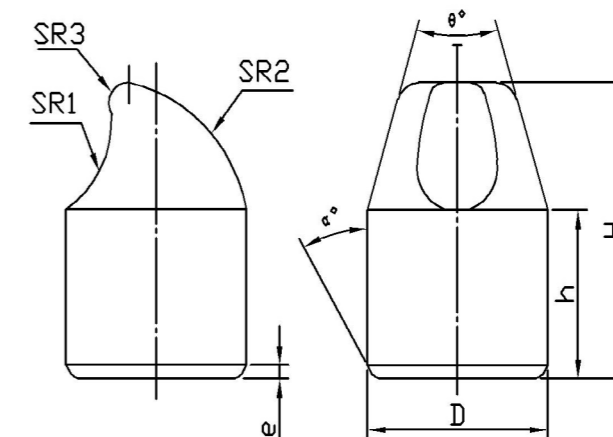
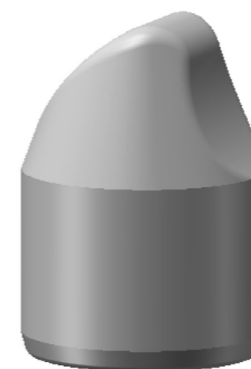
硬质合金牌号、性能及使用范围 Grades, Properties And Applications Recommended

牌号 Grades	密度 Density(g/cm ³)	硬度 Hardness(HRA)	抗弯强度 T·R·S(N/mm ²)	主要用途 Application
YG4C	15.00	89.5	1800	主要用于小规格冲击钻头的球齿及旋转勘探钻具合金片，凿进软岩层，中硬岩层。 Mainly used as small buttons for percussion bits and as the inserts of rotary prospecting bits to cut soft, medium hard formations.
YG6	14.80	90.0	1700	主要用于小规格冲击钻头的钎片及旋转勘探钻具合金片，凿进中软岩层，中硬岩层。 Mainly used as the buttons of small and medium sized percussion bits and as the inserts of rotary prospecting bits to cut soft, medium hard formations.
YG8	14.70	88.5	2200	主要用于小规格冲击钻头的钎片及旋转勘探钻具合金片，凿进中软岩层，中硬岩层。 Mainly used as the buttons of small and medium sized percussion bits and as the inserts of rotary prospecting bits to cut soft, medium hard formations.
YG8C	14.70	88.0	2300	主要用于小规格冲击钻头的钎片及旋转勘探钻具合金片，凿进中软岩层，中硬岩层。 Mainly used as the buttons of small and medium sized percussion bits and as the inserts of rotary prospecting bits to cut soft, medium hard formations.
YG9C	14.60	87.0	2400	主要用于冲击回转凿岩机用钎头，煤截齿及石油钻头，钻凿中硬和硬岩层。 Mainly used as the inserts and buttons for rotary percussive bits, coal cutting bits and tricone bits to cut medium hard and hard formations.
YG11C	14.40	86.5	2450	主要用于重型凿岩机、冲击回转凿岩机用钎头，煤截齿及石油钻头，钻凿中硬和硬岩层。 Chiefly for the inserts and buttons of heavy rock drill bits and rotary percussive bits, coal cutting bits and tricone bits to cut medium hard and hard formations.
YG13C	14.30	86.0	2500	主要用于石油牙轮钻、冲击回转钻及重型凿岩机用钎片，钻进中硬岩层，硬岩层。 Mainly used as the inserts and buttons of tricone bits rotary percussive bits and heavy rock drill bits to cut medium hard and hard formations.
YG15	14.20	86.5	2500	硬度好，主要用于冲击回转钻及重型凿岩机用钎头，凿进坚硬岩层，极 It is stronger, and is mainly used as the inserts and buttons of rotary percussive bits, heavy rock drill bits to cut hard and very hard formations.
YG16	14.10	85.5	2600	主要用作硬质合金基体，供聚合金刚石复合片，用于煤炭采掘、油田钻探用PDC钻头。 It is mainly used for making cemented carbide substrate tips to be used in PDC cutters for excavating coal and oil field PDC bits.
YG20	13.70	85.0	2800	适用于在冲击负荷很大、应力很大条件下使用的冲压模具。 Mainly for the stamping dies used in the conditions of heavy impact load and large stresses.

煤炭采掘类合金 Cemented Carbide Products for Coal-cutting

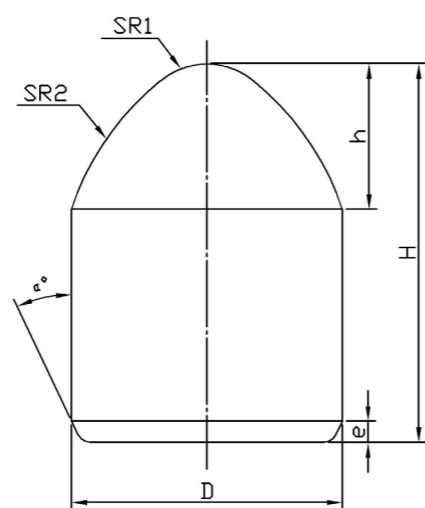
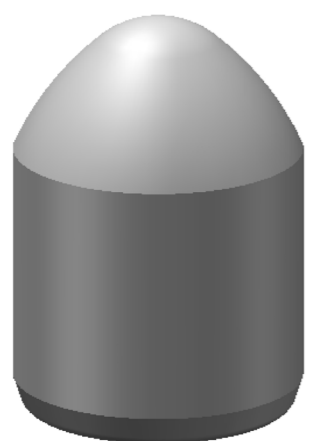


勺形齿 | Spoon Button



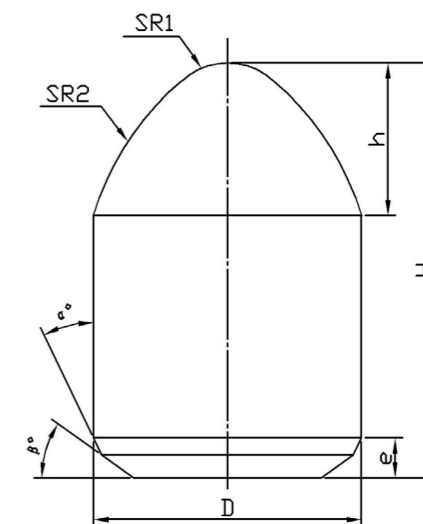
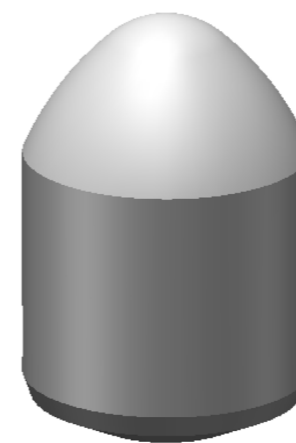
型号 TYPE	尺寸 Dimension (mm)								
	D	H	h	θ°	SR1	SR2	SR3	α°	e
S1015	10.25	15	9.8	50	12	20	3	18	1.2
S1116	11.3	16.5	10.2	50	15	24	3	18	1.2
S1218	12.35	18	11	36	20	25	2.5	18	1.5
S1319	13.35	19	12	50	15	20	3	18	1.5
S1421	14.35	21	12.5	40	12	25	3	18	1.8
S1521	15.35	21	12	50	20	30	3	18	1.8
S1624	16.35	24	13	30	15	20	3	18	2
S1827	18.25	27	14.5	30	18	20	3	18	2

抛物线齿 | Parabolic Button



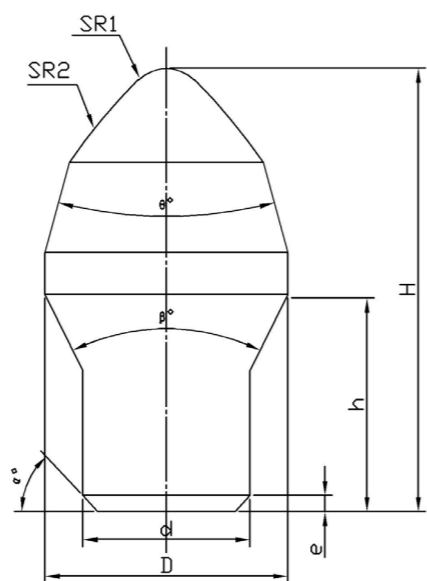
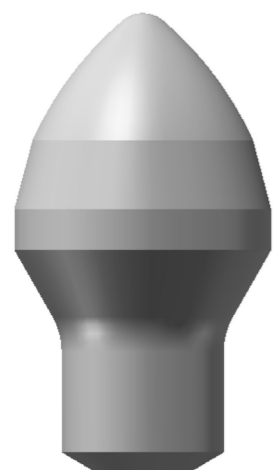
型号 TYPE	尺寸 Dimension (mm)							
	D	H	SR1	SR2	h	α°	β°	e
D0711	7.25	11	1.9	8.7	3.9	20	25	1.6
D0812	8.25	12	2.5	9	4.5	20	25	1.6
D0913	9.25	13	2.5	11	5	20	25	1.8
D1015	10.25	15	3.2	11.8	5	20	25	1.8
D1117	11.3	17	3	13.5	6	20	25	1.8
D1218	12.35	18	3	12	6.5	20	20	2
D1319	13.35	19	3.5	13.5	7.1	20	20	2
D1420	14.35	20	4.2	13	8	20	20	2

抛物线齿 | Parabolic Button



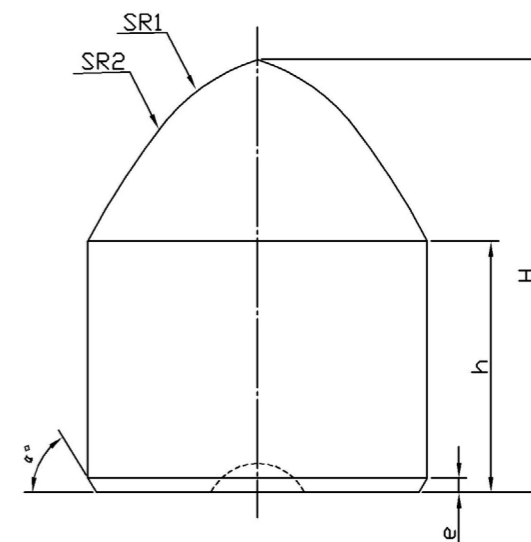
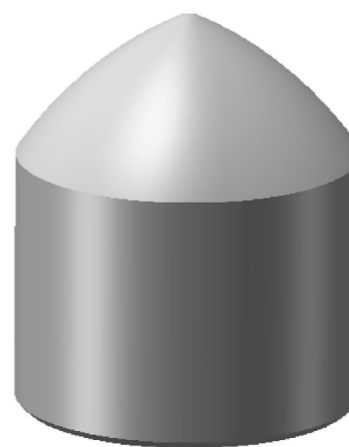
型号 TYPE	尺寸 Dimension (mm)						
	D	H	SR1	SR2	h	α°	e
D0711A	7.25	11.0	1.9	8.7	3.9	18	1.0
D0812A	8.25	12.0	2.5	9.0	4.5	18	1.0
D1913A	9.25	13.0	2.5	11.0	5.0	18	1.0
D1015A	10.25	15.0	3.2	11.8	5.0	18	1.2
D1117A	11.30	17.0	3.0	13.5	6.0	18	1.2
D1218A	12.35	18.0	3.0	12.0	6.5	18	1.5
D1319A	13.35	19.0	3.5	13.5	7.1	18	1.5
D1420A	14.35	20.0	4.2	13.0	8.0	18	1.8

截齿 | Auger Tips



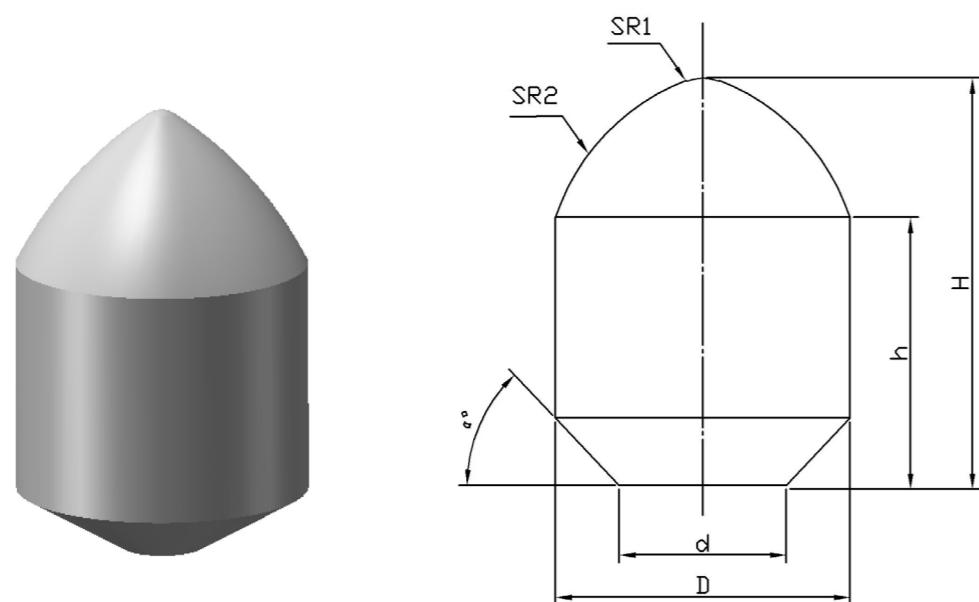
型号 TYPE	尺寸 Dimension (mm)									
	D	H	SR1	SR2	θ°	d	h	β°	α°	e
JJ1630	16	30	2	25	37	12	16	90	30	2.3
JJ1828G	18.9	28.8	1.8	32	30	12.2	14.1	60	45	1
JJ1932	19	32	2	25	37	12	16	90	30	2.3

截齿 | Auger Tips



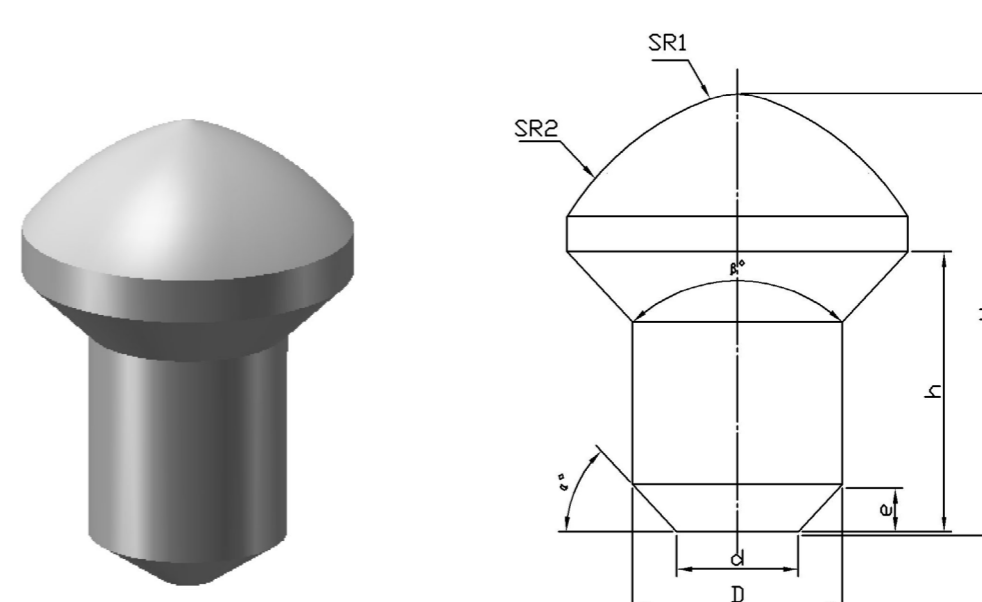
型号 TYPE	尺寸 Dimension (mm)						
	D	H	SR1	SR2	h	α°	e
JM1925A	19	25	2	26	15	30	1
JM2228A	22	28	2	50	16.5	45	1
JM2530A	25	30	2	50	20	45	1

截齿 | Auger Tips



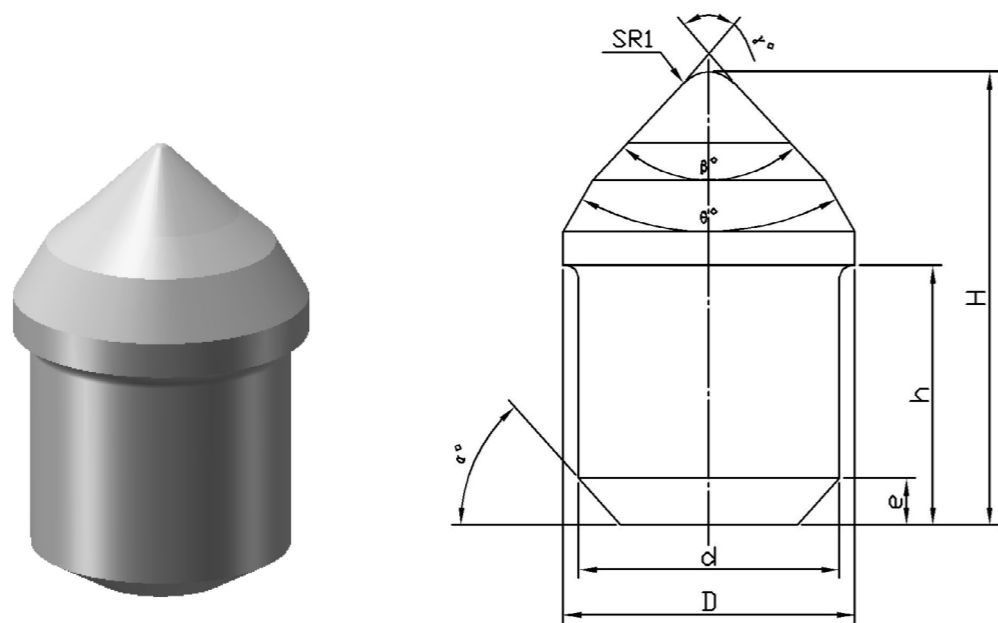
型号 TYPE	尺寸 Dimension (mm)					
	D	d	H	h	SR1	SR2
JM1222	12	3	22	15	1.5	26
JM1425	14	4	25	17	1.5	26
JM1625	16	5	25	16	1.5	26
JM1828	18	5	28	18	1.5	26
JM2428	24	10.1	28	16	2	36
JM2534	25	18	34	20	-	25

截齿 | Auger Tips



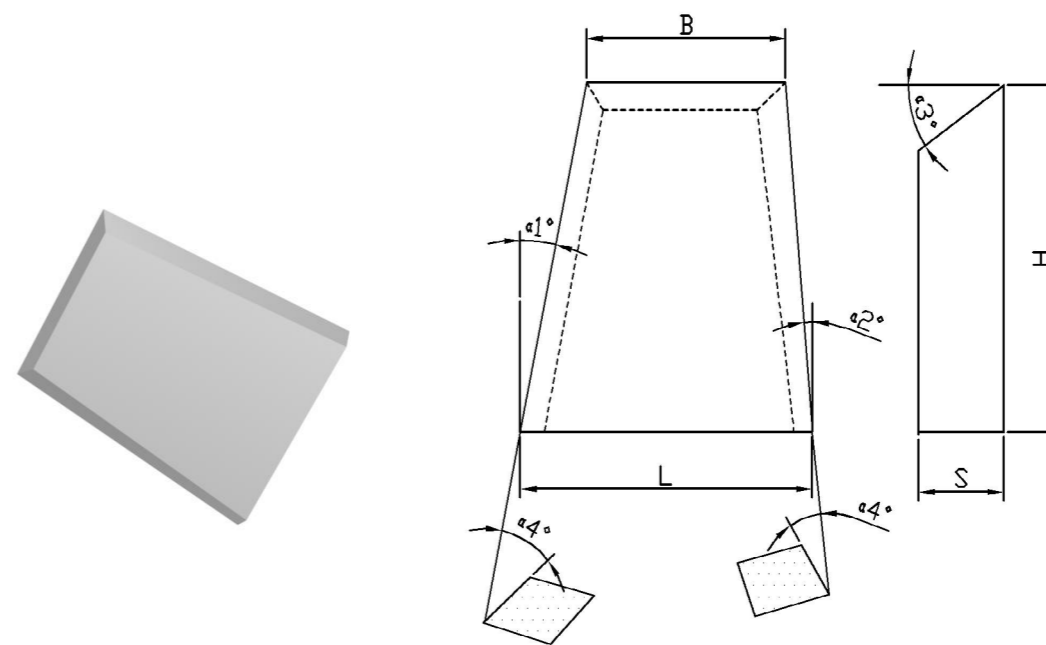
型号 TYPE	尺寸 Dimension (mm)									
	D	H	SR1	SR2	d	h	β°	α°	e	
JJ1622B	16	22	2	20	11	10.5	60	30	2.6	
JJ1824B	18	24	2	40	12	11.7	60	30	2.8	
JJ1622B	16	22	2	20	11	10.5	60	45	0.5	
JJ1824B	18	24	2	40	12	11.7	60	45	0.5	
JJ2335B	23	35	2.5	30	13	20	90	30	2.6	
JJ2538B	25	38	2	25	15	20.5	90	35	3.8	

截齿 | Auger Tips



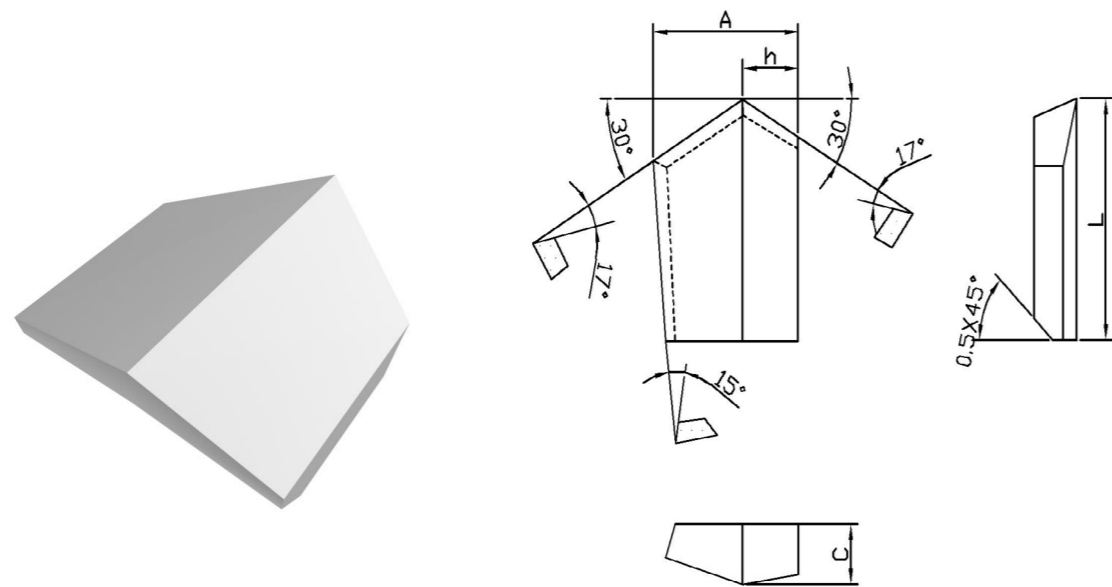
型号 TYPE	尺寸 Dimension (mm)										
	D	H	SR1	θ°	δ°	γ°	d	h	β°	α°	e
JJ2123C	21.8	32.8	2	30	75	80	14.7	16.1	60	45	1
JJ2236C	22	36	2	36	-	90	14.5	19.6	60	30	3
JJ2434C	24.9	32.2	2	84	85	100	17.2	20.1	60	45	1
JJ2539C	25	39	2	70	80	90	22	22	90	30	3

S片 | Type S Pieces



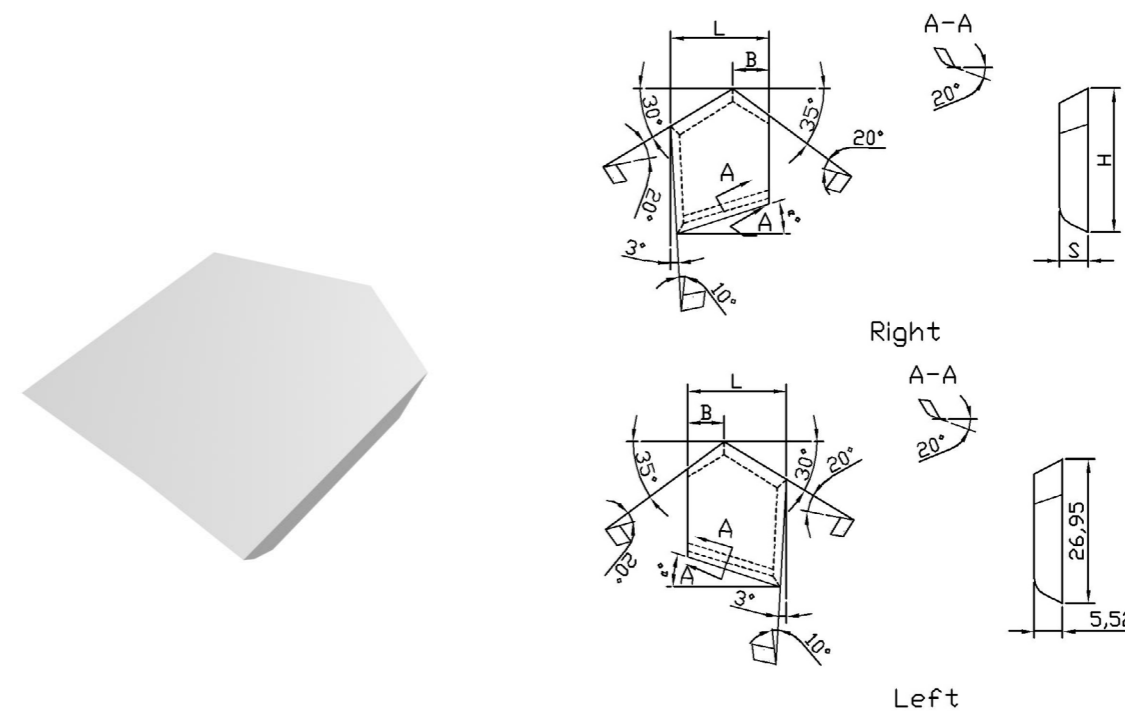
型号 TYPE	尺寸 Dimension (mm)							
	L	B	H	S	$a1^\circ$	$a2^\circ$	$a2^\circ$	$a4^\circ$
S110	12	9	12	3	13°	1°	25°	25°
S110-1	15.5	10	15	3	10.4°	10.4°	9.5°	9.3°

S片 | Type S Pieces



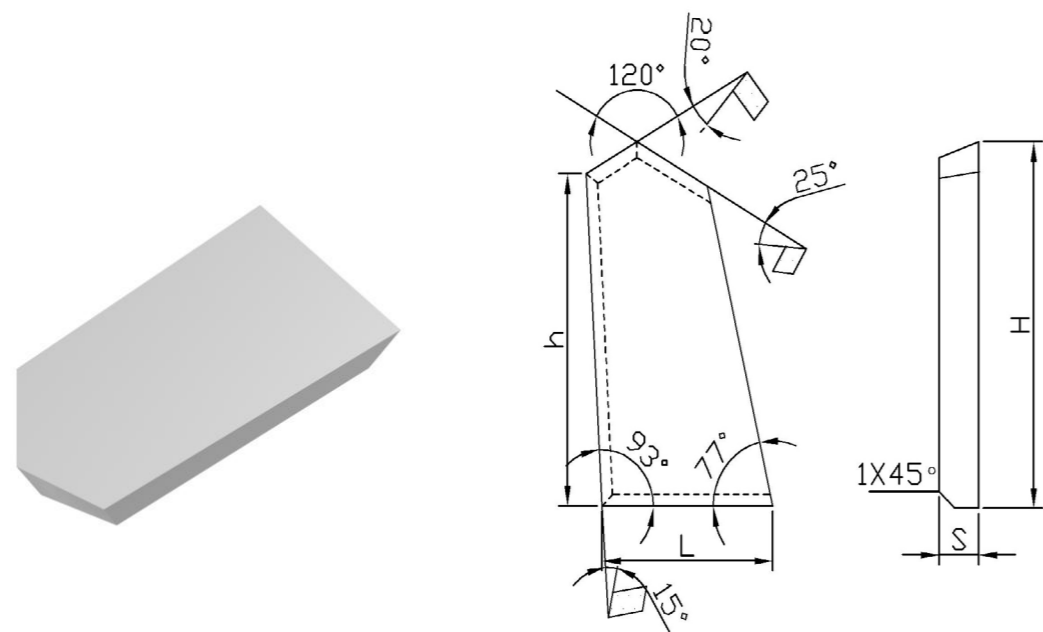
型号 TYPE	尺寸 Dimension (mm)			
	A	L	C	h
MG1210-4.0	10	12	4	4
MG1212-5.0	12	12	5	4

S片 | Type S Pieces



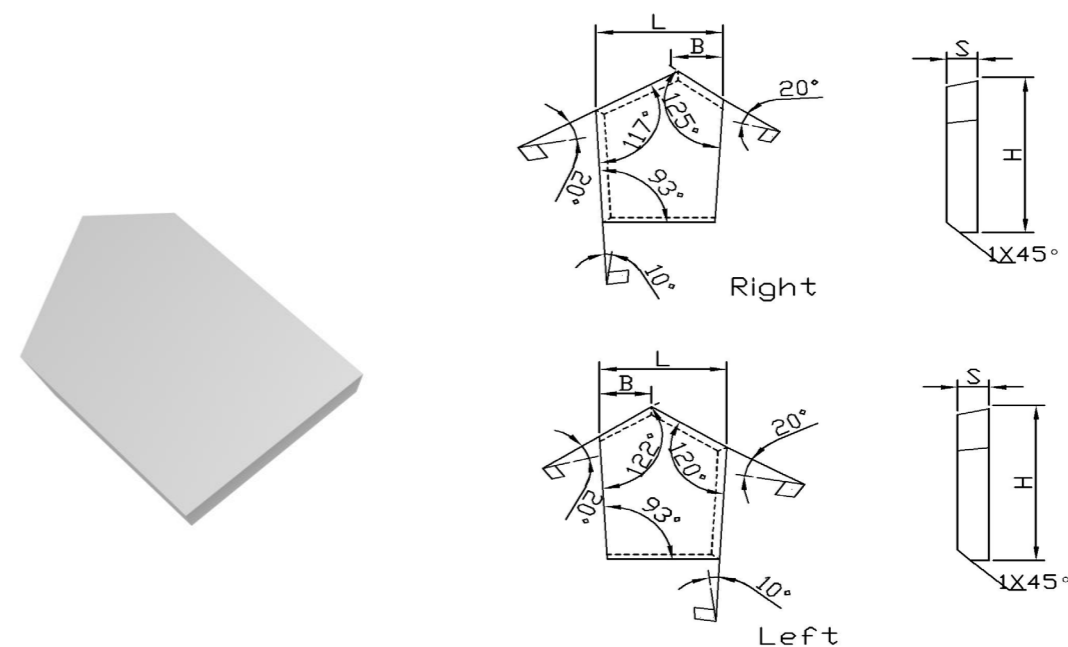
型号 TYPE	尺寸 Dimension (mm)					
	L	H	S	B	T	α°
S120/S120Z	14.6	19.6	2.6	5	0.8	17°
S122-2/ S122Z-2	15	22	3	5	1	16°

S片 | Type S Pieces



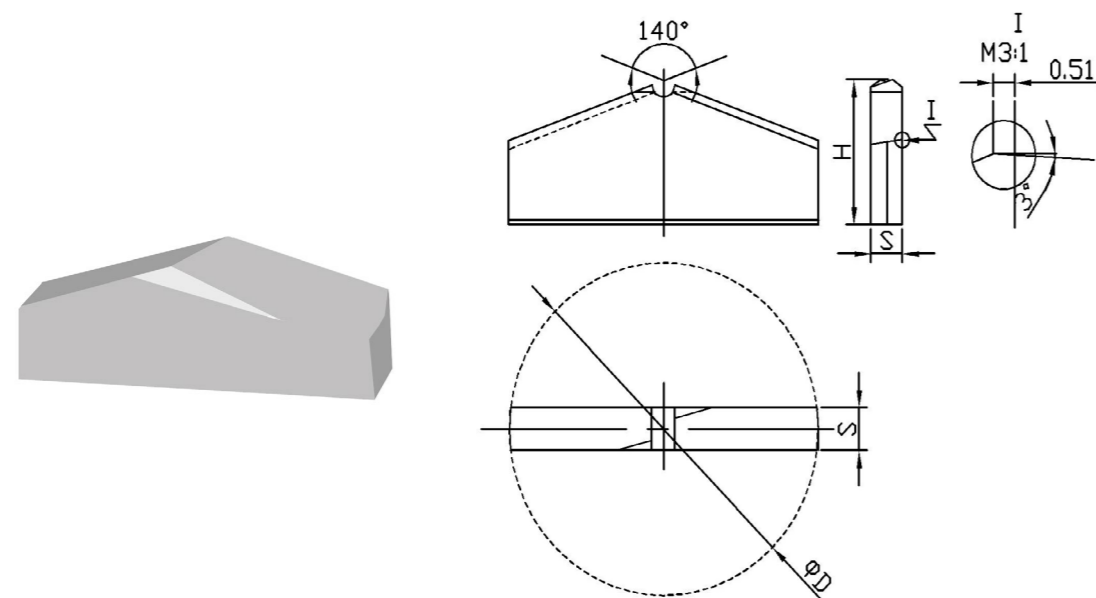
型号 TYPE	尺寸 Dimension (mm)			
	L	H	S	h
S218	12	18	3	15.8
S223	12.9	23	3	20.8
S226	13.4	26	3	23.8

S片 | Type S Pieces



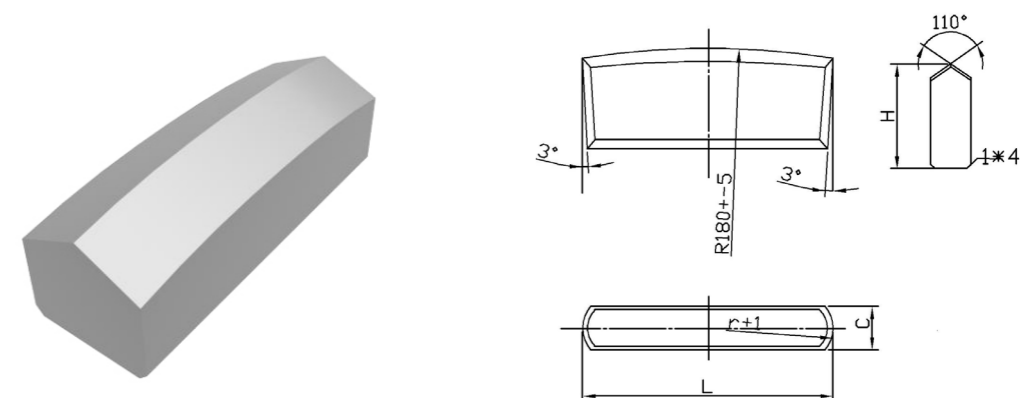
型号 TYPE	尺寸 Dimension (mm)			
	L	H	S	B
S114/S114Z	12	14	3	5
S114-2/S114Z-2	9	14	3	5
S118/S118Z	15	18	3	5
S119/S119Z	15	19	3	5
S122/S122Z	15	22	3	5
XS122-2/ XS122Z-2	10	15	3	4

S片 | Type S Pieces



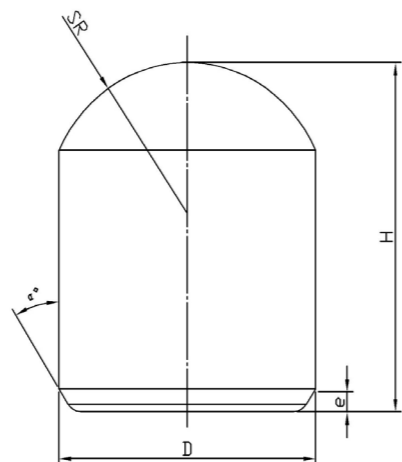
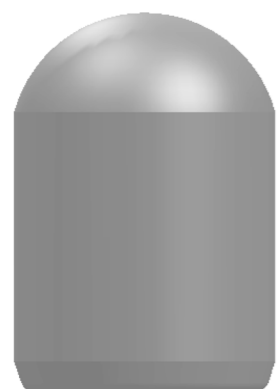
型号 TYPE	尺寸 Dimension (mm)		
	D	S	H
MG2662A	25.97	6.22	10.16

钎头 | Flat Bit



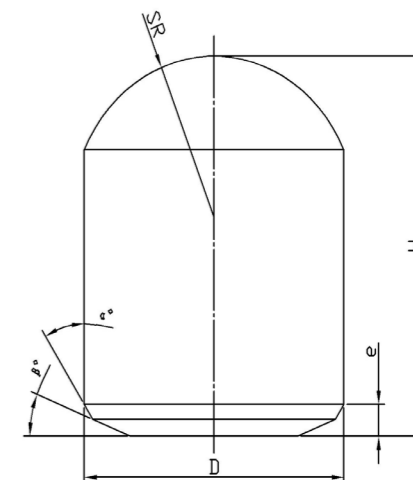
型号 TYPE	尺寸 Dimension (mm)					
	L	H			C	r
		A	B	C		
K026	26	18	15	12.5	8	13.0
K028	28	18	15	12.5	8	14.0
K030	30	18	15	12.5	8	15.0
K032	32	18	15	12.5	8	16.0
K034	34	18	15	12.5	8	17.0
K036	36	18	15	12.5	10	18.0
K038	38	18	15	12.5	10	19.0
K040	40	18	15	12.5	10	20.0
K042	42	18	15	12.5	10	21.0

球齿 | Spherical Buttons



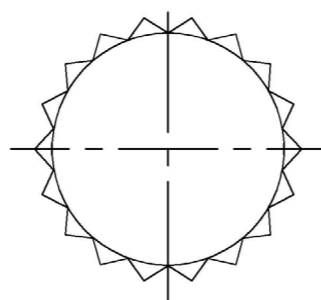
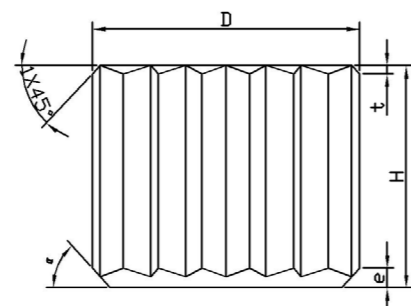
型号 TYPE	尺寸 Dimension (mm)				
	D	H	h	SR	e
Q0810	8	10	7.1	4.2	1
Q0812	8	12	9.1	4.2	1
Q1010	10	10	6.3	5.2	1.5
Q1012	10	12	8.3	5.2	1.5
Q1014	10	14	10.3	5.2	1.5
Q1214	12	14	9.4	6.2	1.5
Q1216	12	16	11.4	6.2	1.5
Q1218	12	18	13.4	6.2	1.5
Q1416	14	16	10.5	6.2	1.5
Q1422	14	22	16.5	7.2	1.5
Q1625	16	25	18.6	8.2	1.5
Q1827	18	27	19.8	9.2	1.5

球齿 | Spherical Buttons



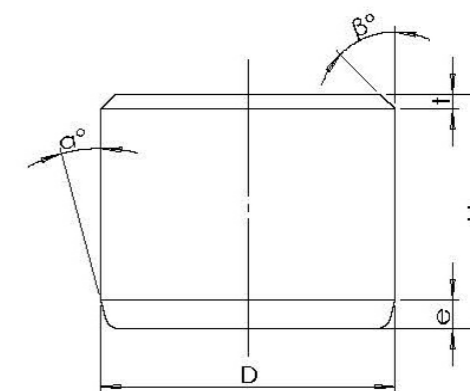
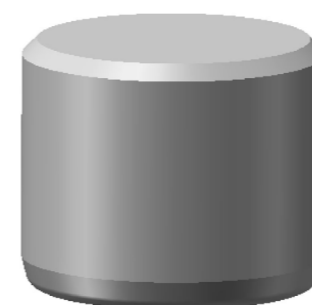
型号 TYPE	尺寸 Dimension (mm)			
	D	H	H	e
Q0711A	7.25	11	3.7	1.6
Q0812A	8.25	12	4.4	1.6
Q0913A	9.25	13	5	1.8
Q1015A	10.25	15	5.5	1.8
Q1117A	11.3	17	6	2
Q1218A	12.35	18	6.6	2
Q1319A	13.35	19	7	2
Q1420A	14.35	20	7.7	2.3
Q1622A	16.35	22	8.8	2.5
Q1825A	18.25	25	9.2	2.8

平顶齿 | Flattop Buttons



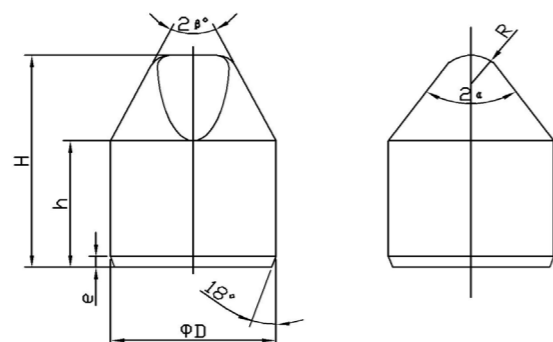
型号 TYPE	尺寸 Dimension (mm)				
	D	H	t	α°	e
MH0806	8	6	0.5	25	1.1
MH1008	10	8	0.5	25	1.9
MH1206	12	6	0.5	25	1.9
MH1208	12	8	0.5	25	2.5
MH1410	14	10	0.5	25	2.5

平顶齿 | Flattop Buttons



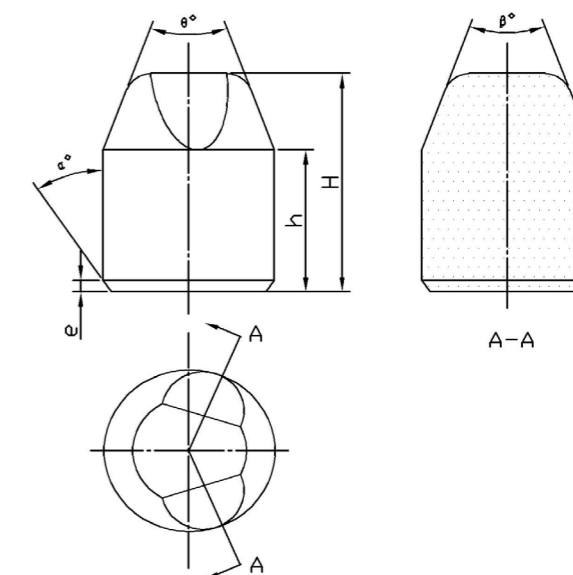
型号 TYPE	尺寸 Dimension (mm)		
	D	H	e
P0607	6	7	1.5
P0707	7	7	1.5
P0807	8	7	1.5
P0908	9	8	1.5
P1008	10	8	1.5
P1109	11	9	1.5
P1210	12	10	1.5
P1412	14	12	1.5

边楔齿 | Eccentric Wedge Buttons



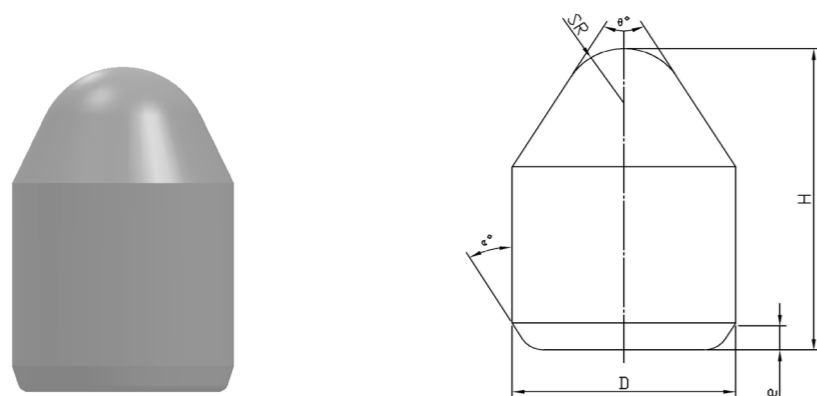
型号 TYPE	尺寸 Dimension (mm)							
	D	H	h	R	r	α°	β°	e
X0810	8	10	6.5	2	1.8	45	22.5	1.5
X1011	10	11	7	2.5	2	45	22.5	1.5
X1013	10	13	9	2.5	2	45	22.5	1.5
X1115	11	15	8	2.8	2.5	22.5	22.5	1.5
X1215	12	15	9	3	2.5	45	22.5	1.5
X1217	12	17	10.5	3.5	3	35	20	1.5
X1418	14	18	10	3.5	3	45	22.5	1.5
X1420	14	20	11	2.7	3	35	22.5	1.5
X1520	15	20	12	3	3	40	22.5	1.5
X1621	16	21	11	2.6	3	35	22.5	2
X1623	16	23	12	3	3.5	30	18	2
X1721	17	21	13	4	3.5	40	22.5	2
X1724	17	24	13	3.5	3.5	30	22.5	2
X1929	19	29	17	4	3	30	15	2

边楔齿 | Eccentric Wedge Buttons



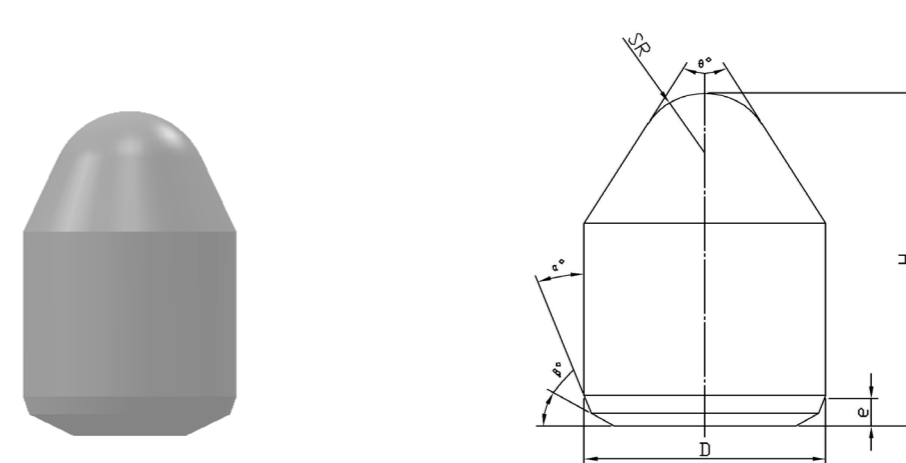
型号 TYPE	尺寸 Dimension (mm)						
	D	H	h	θ°	β°	α°	e
B1215	12.25	15.0	9.0	40	66	18	1.0
B1218	12.9	18.5	10.6	30	56	15	2.3
B1418	14.28	17.5	11.0	40	71	15	1.4
B1519	15.25	19.8	12.1	40	66	18	1.5
B1520	15.45	20.0	12.0	40	67	15	1.5
B1621	16.25	21.0	12.0	36	60	15	1.5

锥形齿 | Conical Buttons



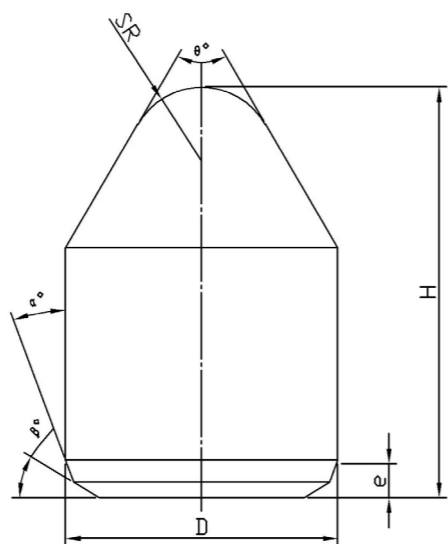
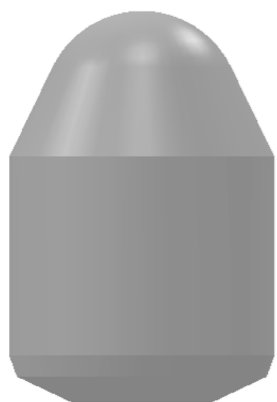
型号 TYPE	尺寸 Dimension (mm)					
	D	H	h	SR	e	α°
Z0810	8	10	6.6	3	1	35
Z0812	8	12	8.6	3	1	35
Z1011	10	11	7.2	4.4	1.5	35
Z1013	10	13	9.2	4.4	1.5	35
Z1015	10	15	9.9	4	1.5	26
Z1215	12	15	10.3	5.1	1.5	35
Z1218	12	18	13	4.8	1.5	35
Z1416	14	16	9.5	4.7	1.5	35
Z1418	14	18	12.5	6	1.5	35
Z1419	14	19	12.8	5	1.5	35
Z1422	14	22	15.8	5	1.5	35
Z1625	16	25	17.3	5	1.5	35

锥形齿 | Conical Buttons



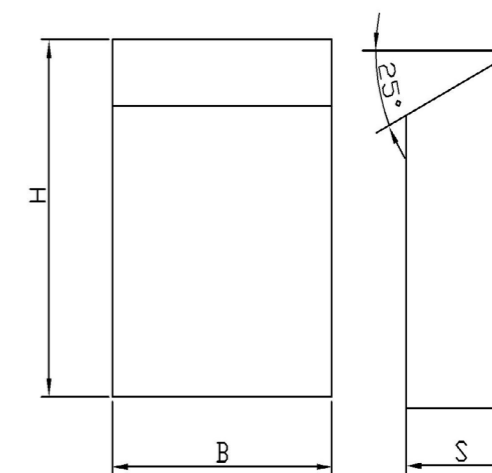
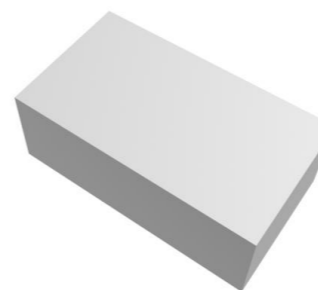
型号 TYPE	尺寸 Dimension (mm)						
	D	H	θ°	SR	α°	β°	e
Z0711A	7.25	11	60	2.8	20	25	1.6
Z0812A	8.25	12	60	3	20	25	1.6
Z0812A	8.25	12	70	3	20	25	1.6
Z0913A	9.25	13	52	3.5	20	25	1.8
Z0913A	9.25	13	70	3	20	25	1.8
Z1015A	10.25	15	52	4	20	25	1.8
Z1117A	11.3	17	52	4	20	25	2
Z1218A	12.35	18	55	4.5	20	20	2
Z1319A	13.35	19	56	4.5	20	20	2
Z1420A	14.35	20	56	5	20	20	2.3

锥形齿 | Conical Buttons



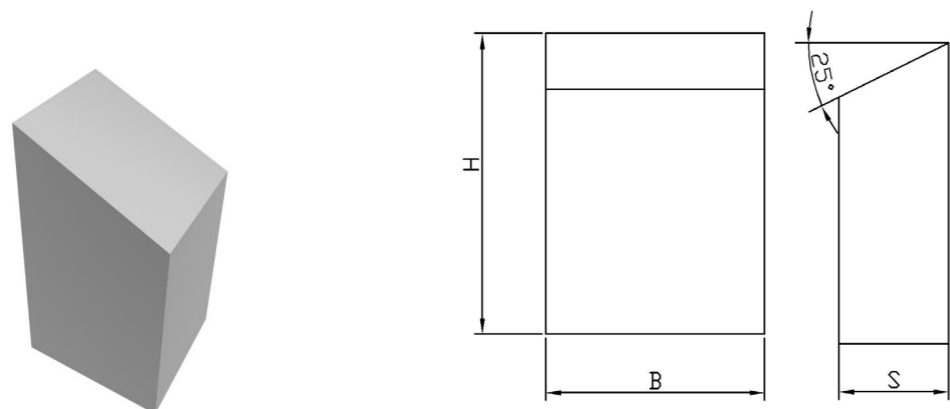
型号 TYPE	尺寸 Dimension (mm)						
	D	H	θ°	SR	α°	β°	e
Z1216A	12.35	16	55	4.5	20	20	2
Z1217A	12.3	17	67	3.5	30	25	2.5
Z1218A	12.3	18	56	4	21	27	3.2
Z1317A	13.35	17	56	4.5	20	25	2
Z1319A	13.2	19	56	4	10	31	2.7
Z1419A	14.35	19	56	5	20	20	2.2
Z1420A	14.3	20	56	4.7	21	14	2

合金块 | Blocks



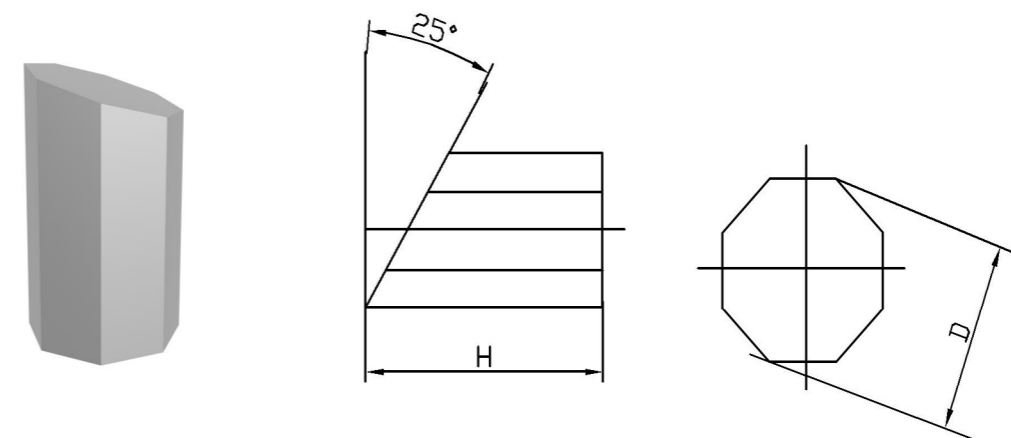
型号 TYPE	尺寸 Dimension (mm)		
	B	L	C
S303	3	15	1.5
S306	6	20	4
S308	8	20	6

T型齿 | Type T Tips



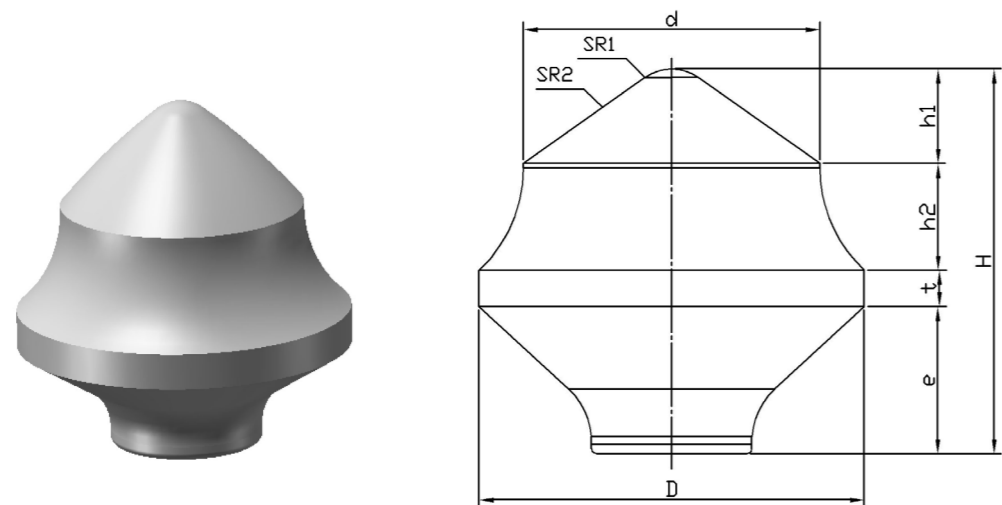
型号 TYPE	尺寸 Dimension (mm)		
	H	S	B
T308	8	5	5
T308×2	8	5	10
T309×2	9	5	10
T310	10	5	5
T310×2	10	5	10
T310-1	10	3	3
T313	13	5	5
T313×2	13	5	10

T型齿 | Type T Tips



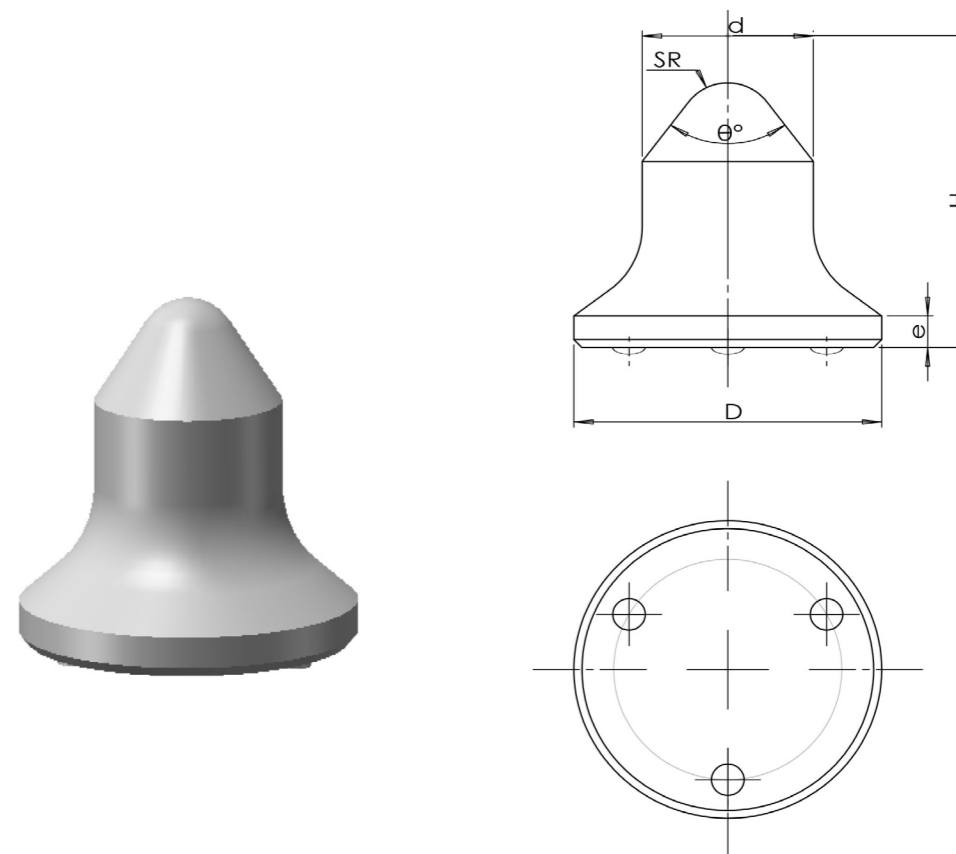
型号 TYPE	尺寸 Dimension (mm)	
	D	H
T105	5	10
T106	7	10
T107	7	15
T109	9	12
T110	10	16

挖路齿 | Cap Tips



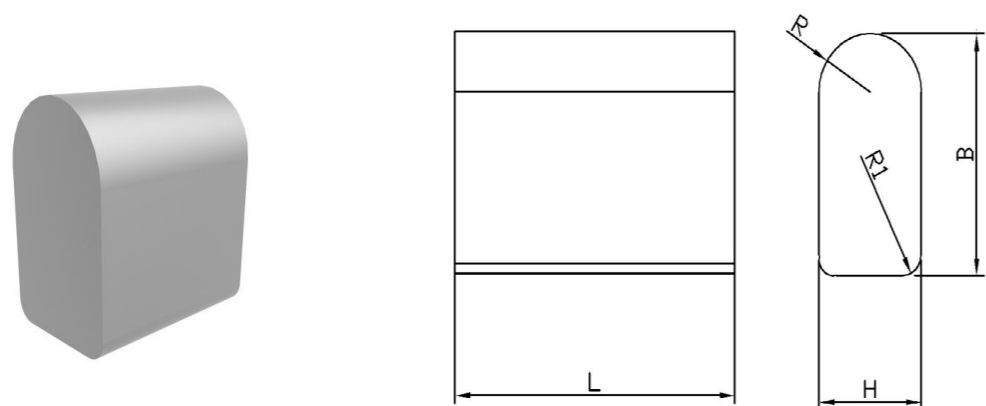
型号 TYPE	尺寸 Dimension (mm)		
	D	H	d
W1910	18.6	20.6	10.0
W2919	29.0	32.5	19.0

挖路齿 | Cap Tips



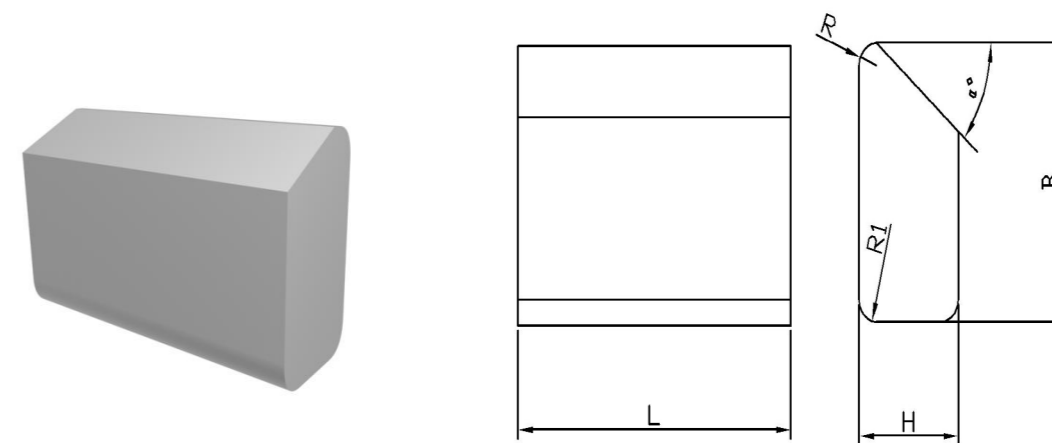
型号 TYPE	尺寸 Dimension (mm)		
	D	d	H
Y1818	17.8	8.8	18.0
Y1918	18.7	10.5	18.0
Y2121	20.5	11.0	20.5

铲雪齿 | Snow Plow Tips



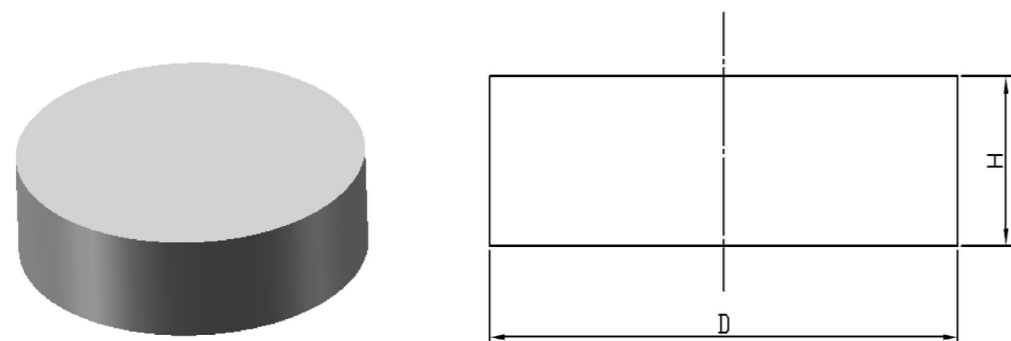
型号 TYPE	尺寸 Dimension (mm)				
	L	B	R	H	R1(2)
CXC-1	25.02	18.92	4.57	9.14	1.59
CXC-2	25.02	13.43	4.57	9.14	1.59
CXC-3	21.92	18.92	4.57	9.14	1.59
CXC-4	21.92	13.43	4.57	9.14	1.59

铲雪齿 | Snow Plow Tips



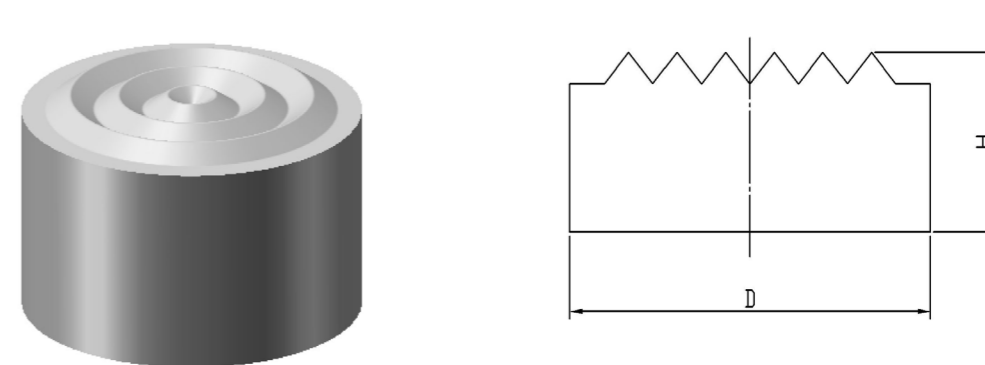
型号 TYPE	尺寸 Dimension (mm)				
	L	B	H	a°	R1(2)
CXC-5	25.02	19.81	9.14	40°	1.59
CXC-6	25.02	15.75	9.14	25°	1.59
CXC-7	21.92	19.81	9.14	40°	1.59
CXC-8	21.92	15.75	9.14	25°	1.59

复合片基体 | PDC Substrate Tips



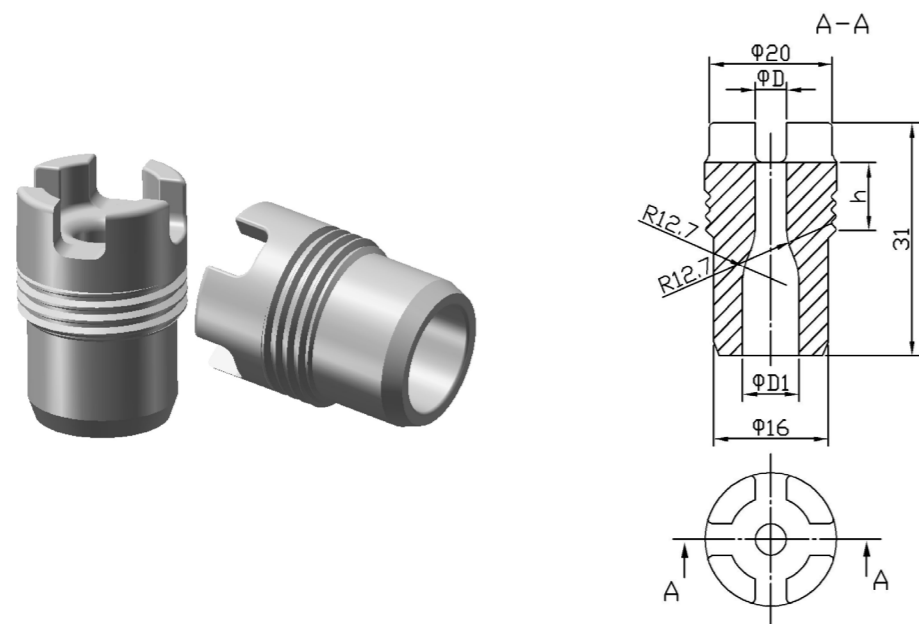
型号 TYPE	尺寸 Dimension (mm)	
	D	H
F1304J	14.6	4.0
F1605J	17.8	5.0
F1608J	17.8	8.0
F1908J	21	8.0
F1912J	21	12.0

复合片基体 | PDC Substrate Tips



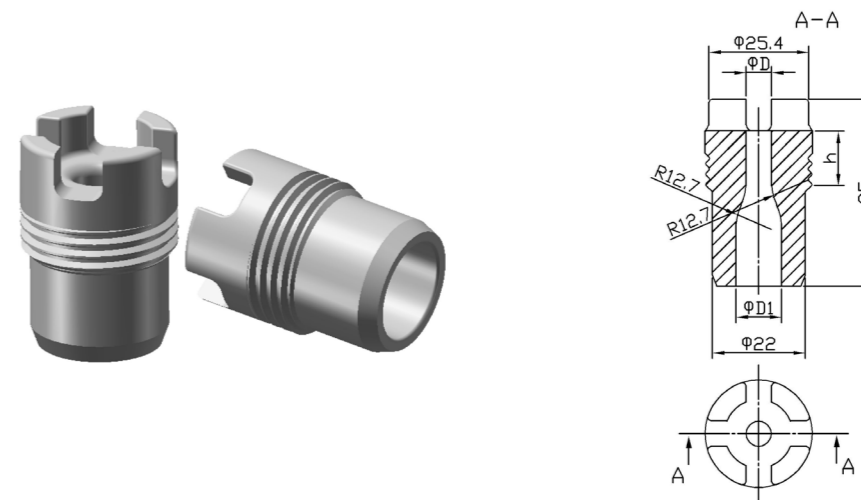
型号 TYPE	尺寸 Dimension (mm)	
	D	H
F1304X	14.6	4.0
F1605X	17.8	5.0
F1608X	17.8	8.0
F1908X	21.0	8.0
F1912X	21.0	12.0

水嘴 | Nozzles



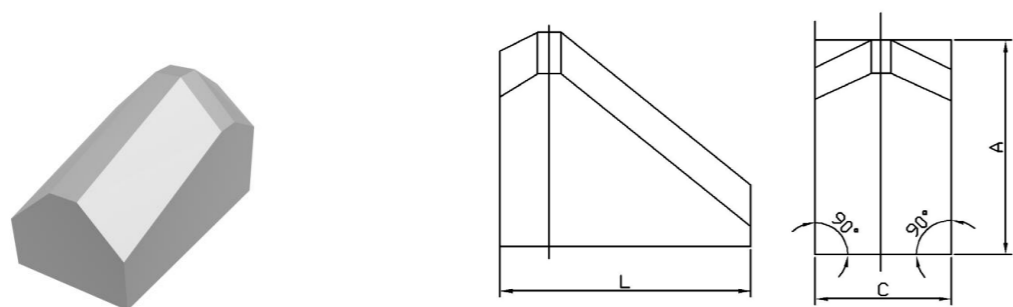
型号 TYPE	尺寸 Dimension (mm)		
	ΦD	ΦD1	h
06	4.8	12.7	4.4
08	6.4	12.7	5.1
09	7.1	12.7	5.8
10	7.9	12.7	6.6
11	8.7	12.7	7.5
12	9.5	12.7	8.5
13	10.3	12.7	9.7
14	11.1	12.7	11.1
15	11.9	12.7	--
16	12.7	12.7	--

水嘴 | Nozzles

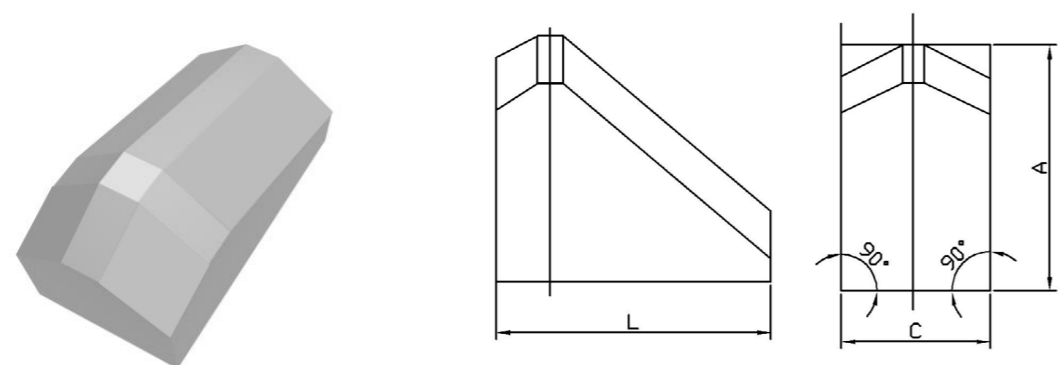


型号 TYPE	尺寸 Dimension (mm)		
	ΦD	ΦD1	h
09	7.1	15.9	6.4
10	7.9	15.9	7.1
11	8.7	15.9	7.7
12	9.5	15.9	8.4
13	10.3	15.9	9.1
14	11.1	15.9	10
15	11.9	15.9	10.9
16	12.7	15.9	11.9
17	13.5	15.9	13.2
18	14.3	15.9	14.4
19	15.1	15.9	15.6
20	15.9	通孔	--
22	17.4	通孔	--

盾构齿 | Shield Cutter

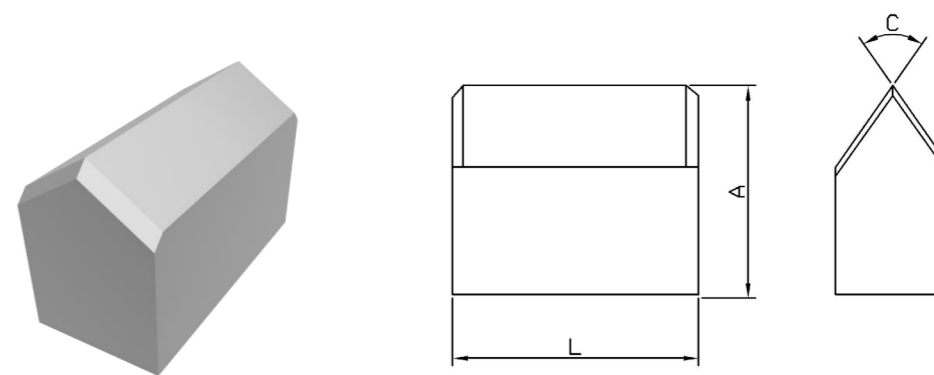


型号 TYPE	尺寸 Dimension (mm)		
	A	L	C
ZG3540R	35	40	21.7

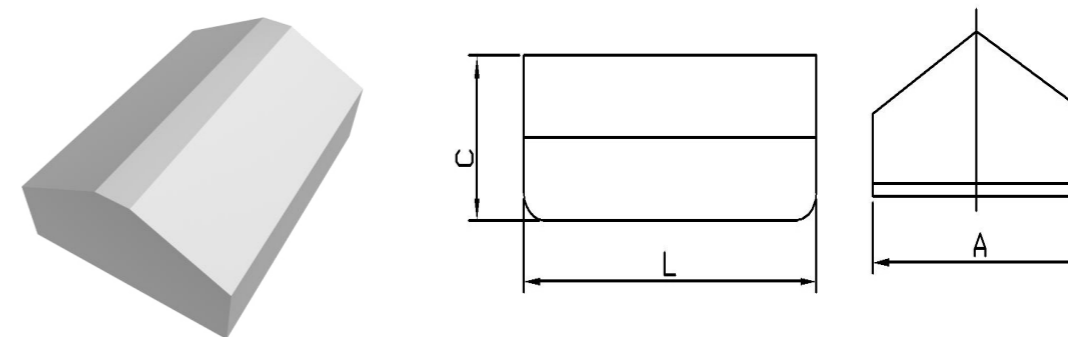


型号 TYPE	尺寸 Dimension (mm)		
	A	L	C
ZG3540L	35	40	21.7

盾构齿 | Shield Cutter

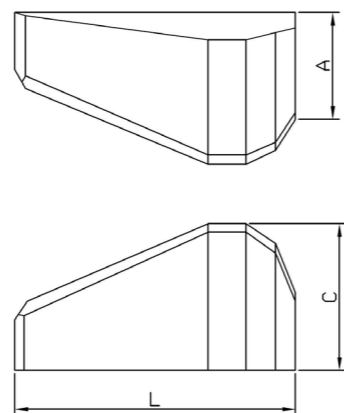
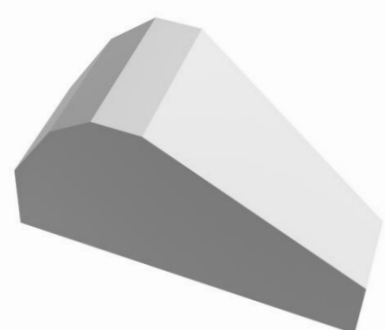


型号 TYPE	尺寸 Dimension (mm)		
	A	L	C
ZG5060R	35	50	25

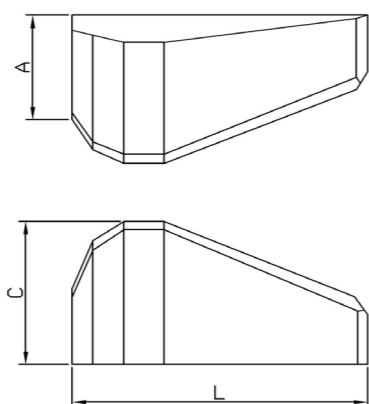
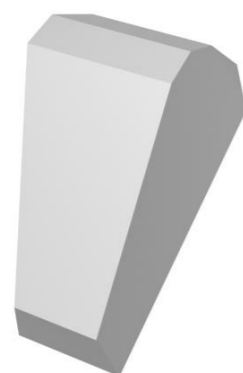


型号 TYPE	尺寸 Dimension (mm)		
	A	L	C
ZG2230	22	30	12

盾构齿 | Shield Cutter

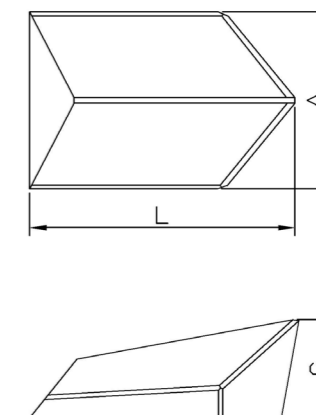
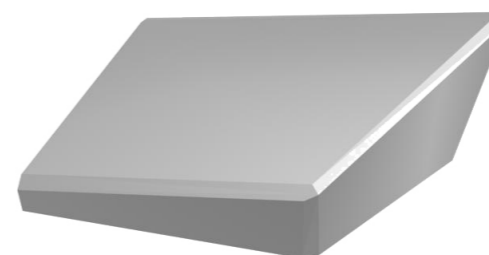


型号 TYPE	尺寸 Dimension (mm)		
	A	L	C
ZG3350R	35	50	25

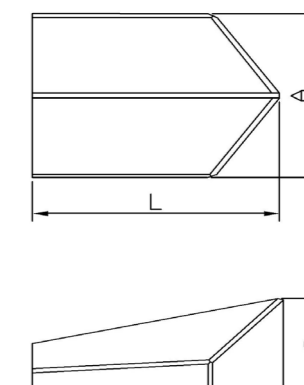
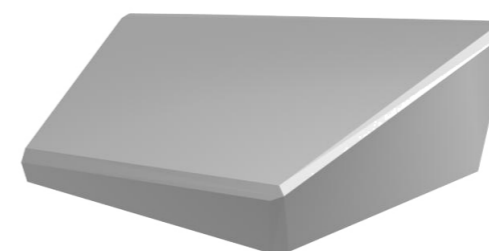


型号 TYPE	尺寸 Dimension (mm)		
	A	L	C
ZG3350L	35	50	25

盾构齿 | Shield Cutter



型号 TYPE	尺寸 Dimension (mm)		
	A	L	C
ZG1625	16	25.5	38



型号 TYPE	尺寸 Dimension (mm)		
	A	L	C
ZG3832	38	32.5	20